

TECHNICAL DATA SHEET

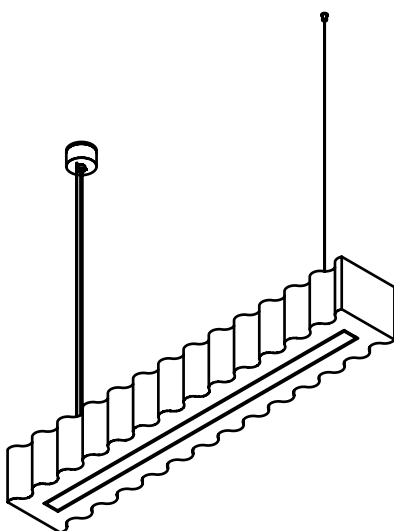
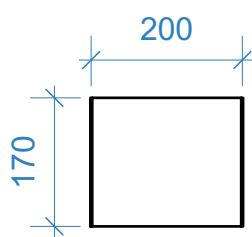
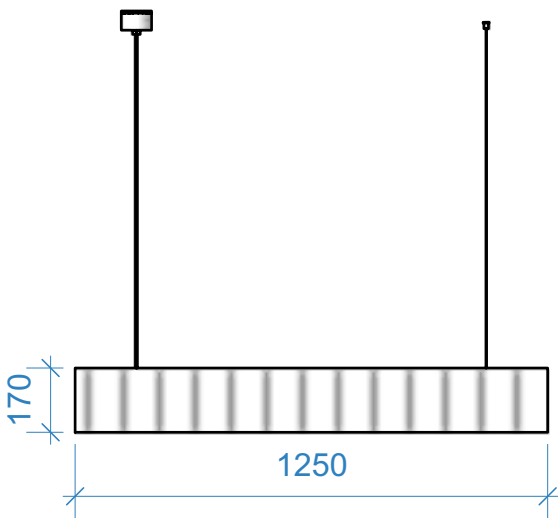
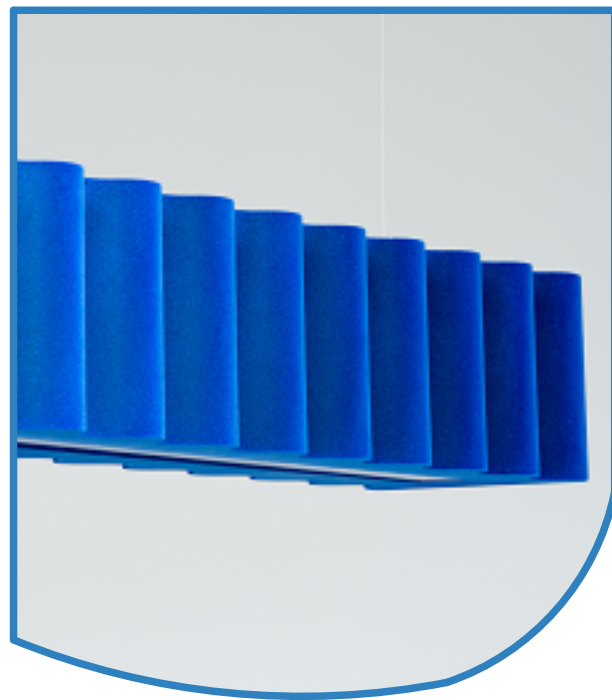
MODEL

WAVE 2-up/down

TYPE AND FINISH

Size	Type	Finish
1250x200x170 mm	Acoustic up/downlight	Flock

Base material	Sound absorption foam
Flock colour	See colour chart
Light source	Talex module stark LLE 280, 400 mA 6200 lumen down / 2400 lumen up 36 Watt down / 15,6 Watt up
Colour temperature	3000 or 4000 K
Options	Standard DALI and switch dimmable with integrated corridor function



Sound absorption foam

NRC 0,9

Absorption area RT60 frequency 250-2000Hz

0,95 m2 sabin per unit